



R800

Turret-level heavy-hitting lethality

The R800 is a heavy-duty remote weapon station that delivers the lethality of a full-sized medium-calibre turret at a significantly lower weight.

Employing the same interface used in other EOS remote weapon stations, the R800 delivers lethality against ground and UAS targets at a fraction of the weight of a turret. It has also been designed for customers who wish to upgrade the lethality of lighter vehicles without compromising payload or making the extensive modifications required to mount a full turret system.

The R800 offers protection options from STANAG Levels 2 through 4, providing tough, light, long-range lethality to a broad range of vehicle classes. In addition, it offers counter-drone capability out to 1500 m using airburst ammunition and 3000m for ground targets. The dual feed MK44 enables the operator to switch easily between HE and Air Burst ammunition to engage ground or air targets.

KEY FEATURES

Primary armament: Mk44S/XM813
30 x 173 mm cannon

Secondary armament: Mk52 7.62 mm chain gun or M240 7.62 mm machine gun

Missile: 1 x Javelin or 2 x Spike (pod)

150 rounds, 30 mm (2 x containers) dual feed;
1000 rounds, 7.62

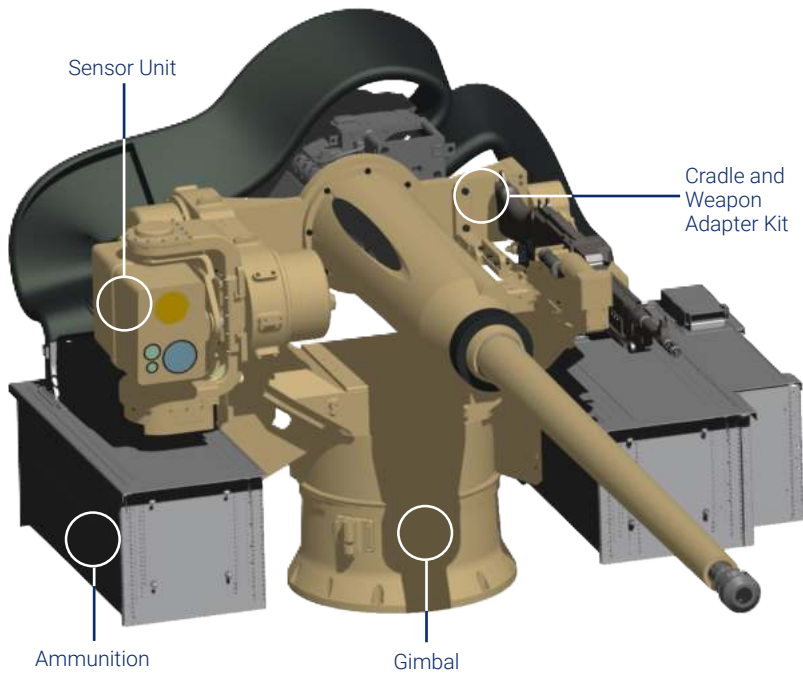
Continuous zoom day and thermal cameras,
eye-safe Class 1 laser finder

Basic STANAG Level 2 armour kit for
protection of sensor units, ammunition and
electronics

Option up to Level 4 in the protection
statement

Video/audio recording

Turret-level lethality without compromising payload or requiring extensive modification.



MAXIMUM FIREPOWER



Artists impression of R800 with Laser Dazzler concept

SPECIFICATIONS	BASELINE SYSTEM	OPTIONS
Primary armament	Bushmaster™ Mk44S/XM 813 mm x 173 mm cannon	Bushmaster™ M230LF 30 mm x 113 mm cannon Other medium-calibre cannons can be integrated
Secondary armament	Mk52 7.62 mm chain gun or M240 7.62 mm machine gun	M2 .50cal machine gun M134 7.62 mm chain gun Up to 1kW laser dazzler
Missile	1 x Javelin™ or 2 x SPIKE™ (pod)	4 x Javelin™ (2 x pods either side) 4 x SPIKE™ (2 x pods either side) 4 x TOW™ (2 x pods either side) 2 x 2.75 TALON™ Rocket pods 2 x Stinger™ pods
Ammunition load (30 mm)	150 rds (2 x containers), dual feed	300 rds (2 x containers), dual feed. Airburst available
Ammunition load (7.62 mm)	1000 rds	2000 rds
Sensor Unit	Continuous zoom day camera Continuous zoom thermal camera Eye-safe Class 1 laser rangefinder	Commander's independent panoramic sensor unit SWIR sensor Multiband sensor fusion
Ballistic protection	Basic add-on armour kit: STANAG Level 2 to Sensor Units, ammunition and electronics	STANAG Levels 2 through 4 (all systems)
Elevation range		+60 degrees -10 degrees
Height		40.16 inches / 1020 mm (to top of feed chute window)
Length (base)		56.5 inches / 1435 mm
Length (overall)		134.75 inches / 3423 mm
Width (base)		64.73 inches / 1644 mm
Width (overall)		70 inches / 1778 mm (not including missiles or other side attachments)
Weight (no armour)		1760 lbs / 800 kg (includes weapons and an ammunition load of 150 x 30 mm rds plus 500 x 7.62 mm rds)

R800-05/2024



Phone
+61 2 6222 7900

Email
enquiry@eos-us.com

Web
eos-us.com

